

HermanMiller

Fuld Disassembly for Recycling Instructions



How to Disassemble your Fuld chair

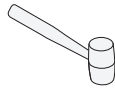
Tools Required



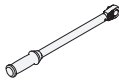
Flat head screwdriver



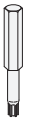
T-25 Torx head screwdriver



Hammer



Torque Wrench



T-40 Torx driver

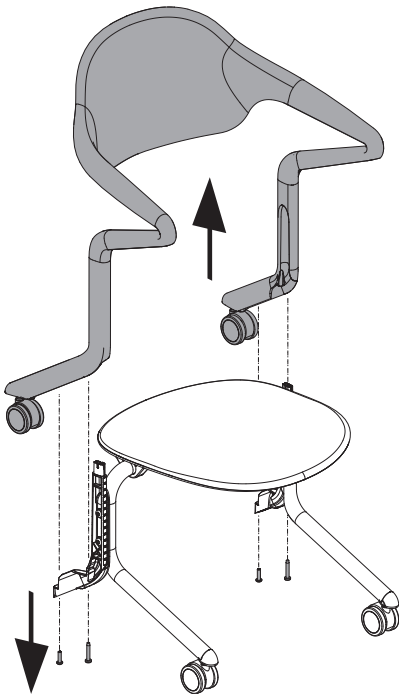


T-27 Torx driver

Chair Disassembly

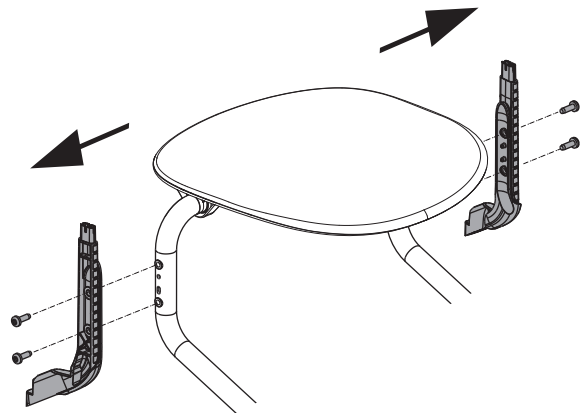
Step 1

- 1.1 Remove bolts from underside of rear legs.
- 1.2 Remove backrest from remaining chair.



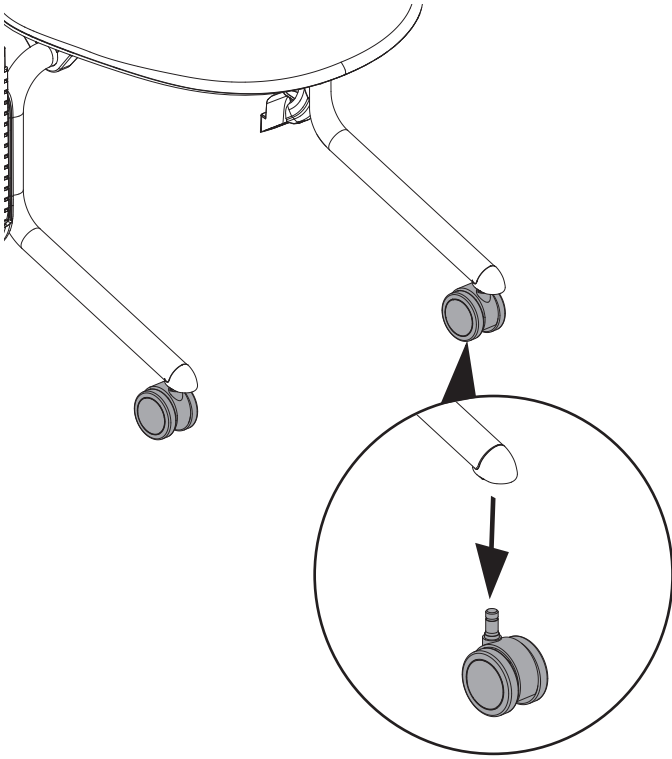
Step 2

- 2.1 Remove bolts from LH-Leg insert and RH-leg insert.
- 2.2 Remove LH-Leg insert and RH-leg insert from Bent Tube.



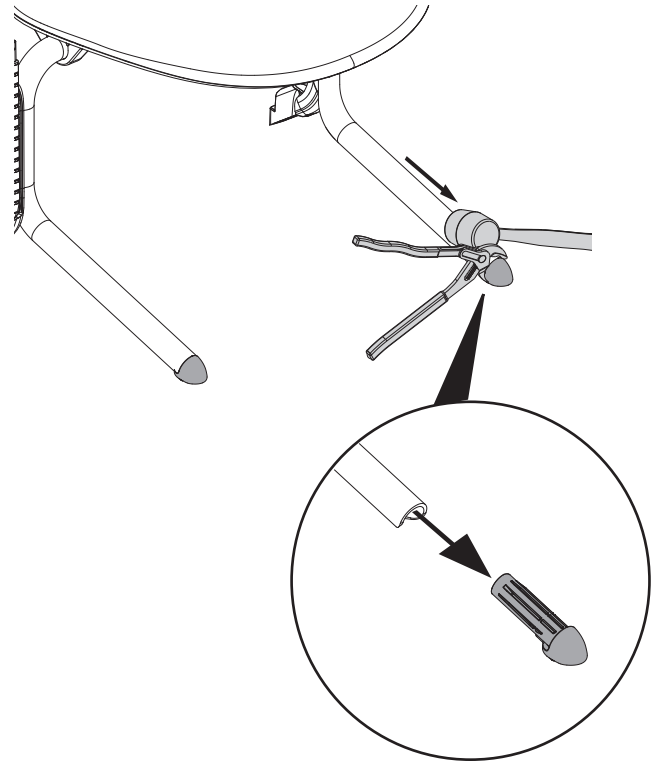
Step 3

3.1 Remove caster from old caster foot .



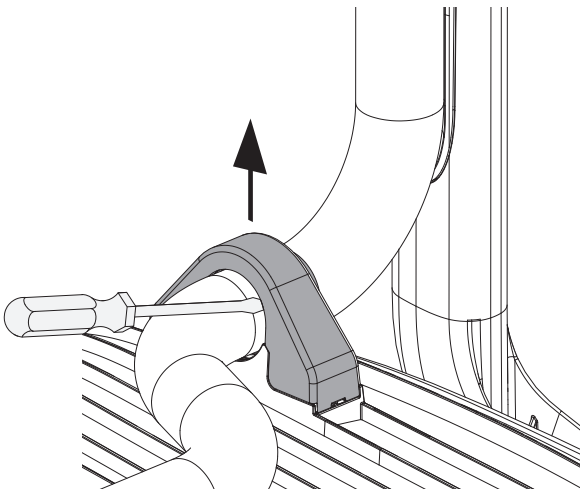
Step 4

4.1 Using a non-marring hammer, gently tap rear surface of caster foot until it comes free from leg tube.



Step 5

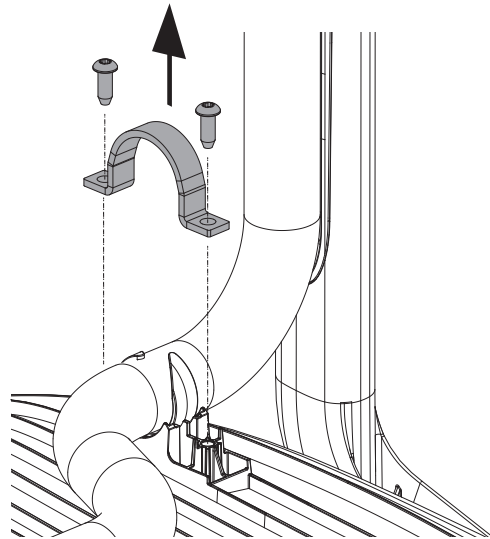
5.1 Use flat head screwdriver to remove Clip Cover Retain for later.



Step 6

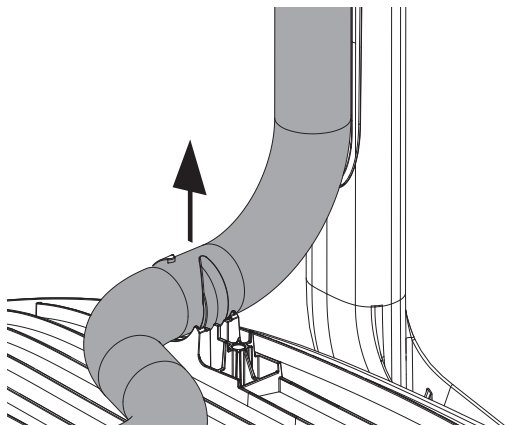
6.1 Use T25 screwdriver to remove bolts.

6.2 Remove U-clip. Retain for later.



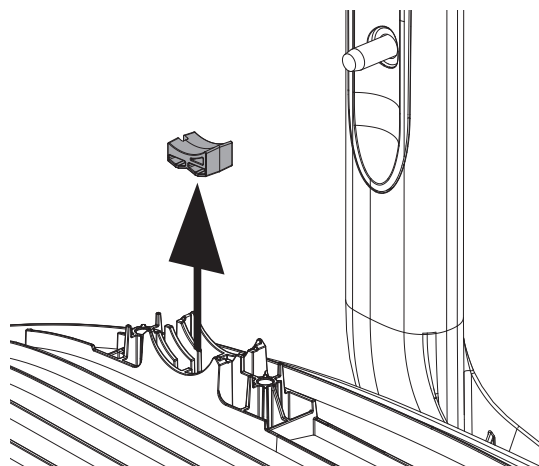
Step 7

7.1 Remove seat from tube.



Step 8

8.1 Remove dampener from Seat. Retain for later.

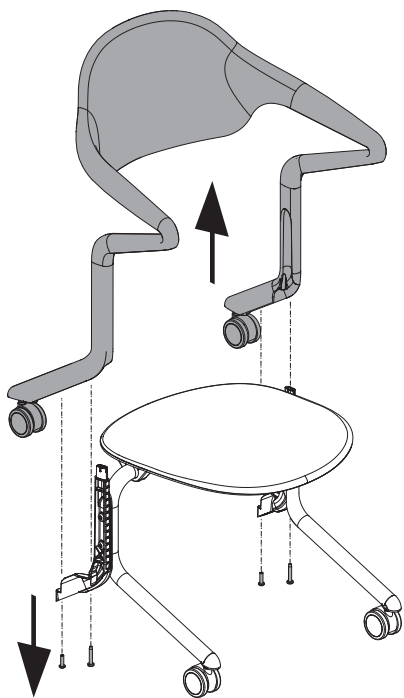


Glide Chair Disassembly

Step 1

1.1 Remove bolts from underside of rear legs.

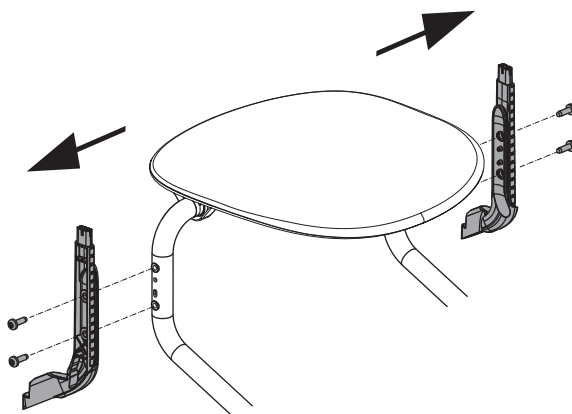
1.2 Remove backrest from remaining chair.



Step 2

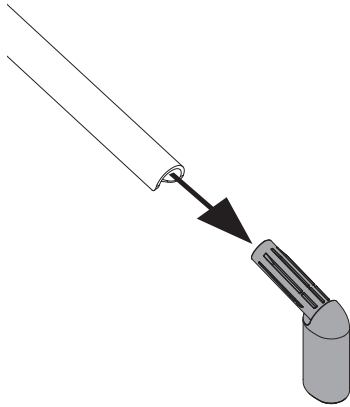
2.1 Remove bolts from LH-Leg insert and RH-leg insert.

2.2 Remove LH-Leg insert and RH-leg insert from Bent Tube.



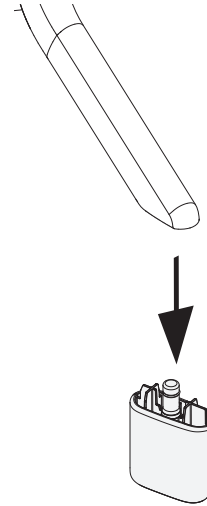
Step 3

3.1 Using a non-marring hammer, gently tap rear surface of Front Glide Assembly until it comes free from leg tube.



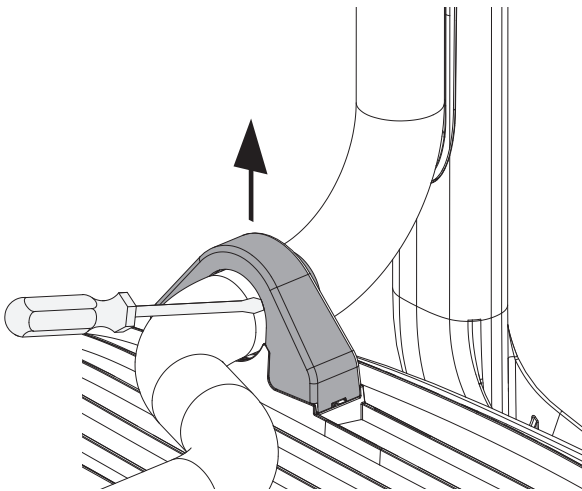
Step 4

4.1 Pull down on Rear Glide Assembly until free from Backrest.



Step 5

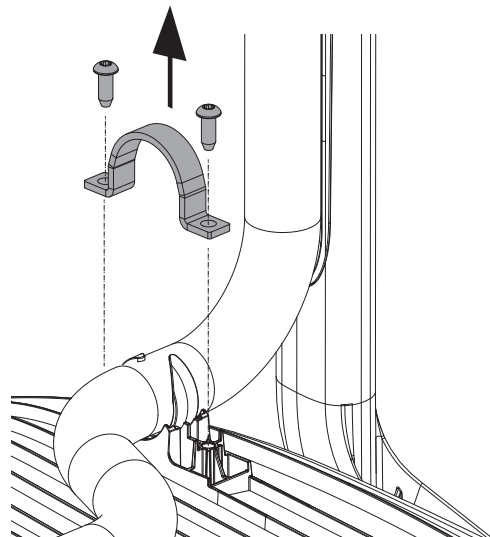
5.1 Use flat head screwdriver to remove Clip Cover Retain for later.



Step 6

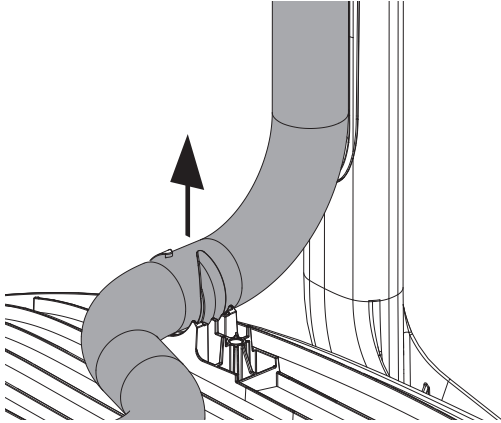
6.1 Use T25 screwdriver to remove bolts.

6.2 Remove U-clip. Retain for later.



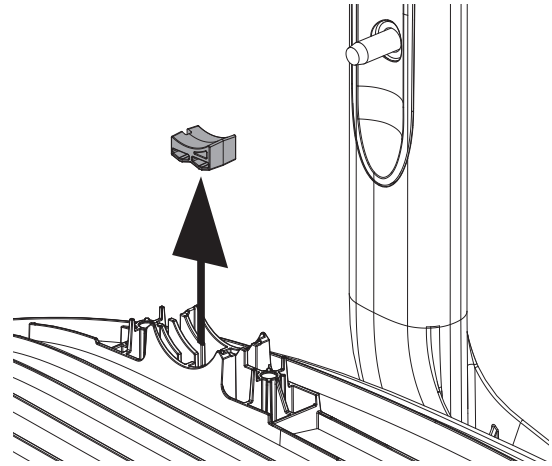
Step 7

7.1 Remove seat from tube.



Step 8

8.1 Remove dampener from Seat. Retain for later.



For more information about our products and services please visit us at hermanmiller.com or call (800) 851 1196.

©2023 Herman Miller, Inc., Zeeland, Michigan Printed in U.S.A. Part No. 1BWJ6H- A